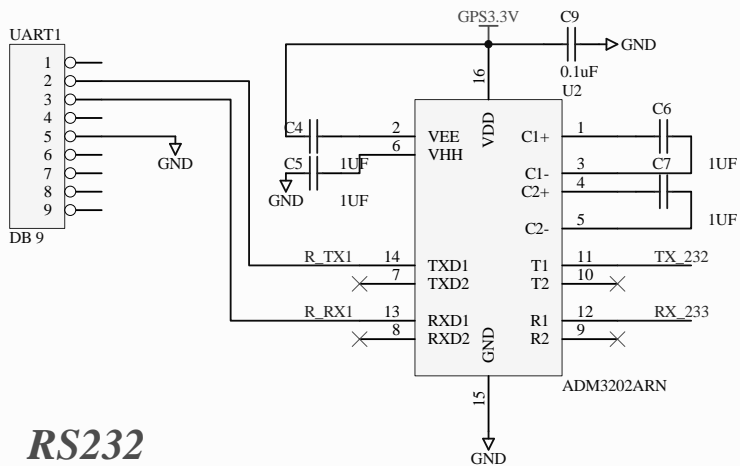
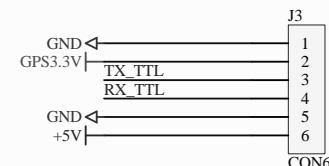
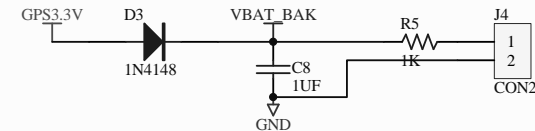
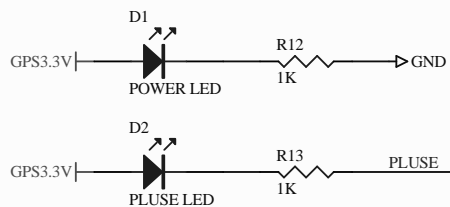
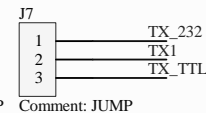
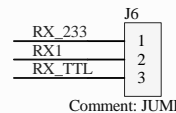
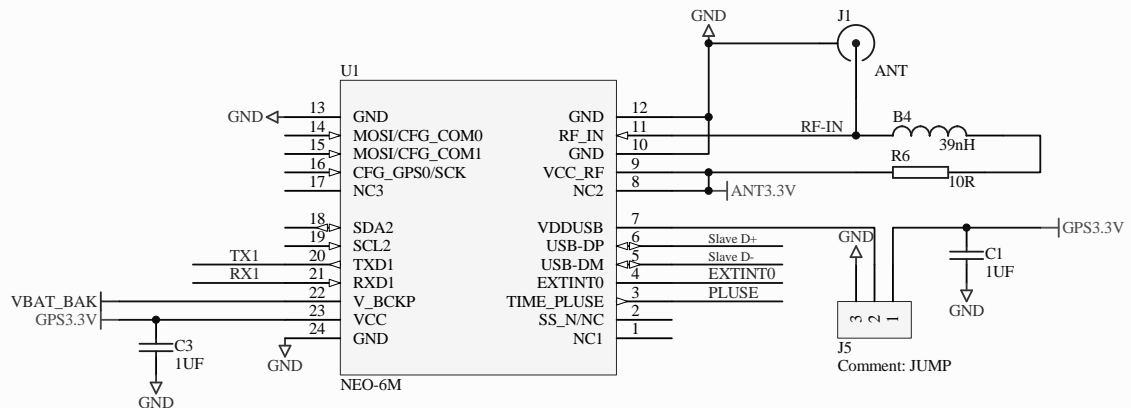


### USB SLAVE Port



**RS232**



Title		
Size	Number	Revision
A4		
Date:	2012/4/27	Sheet of
File:	G:\work\sl\GPS\NEO-6M GPS\GPS.Sch	Drawn By: